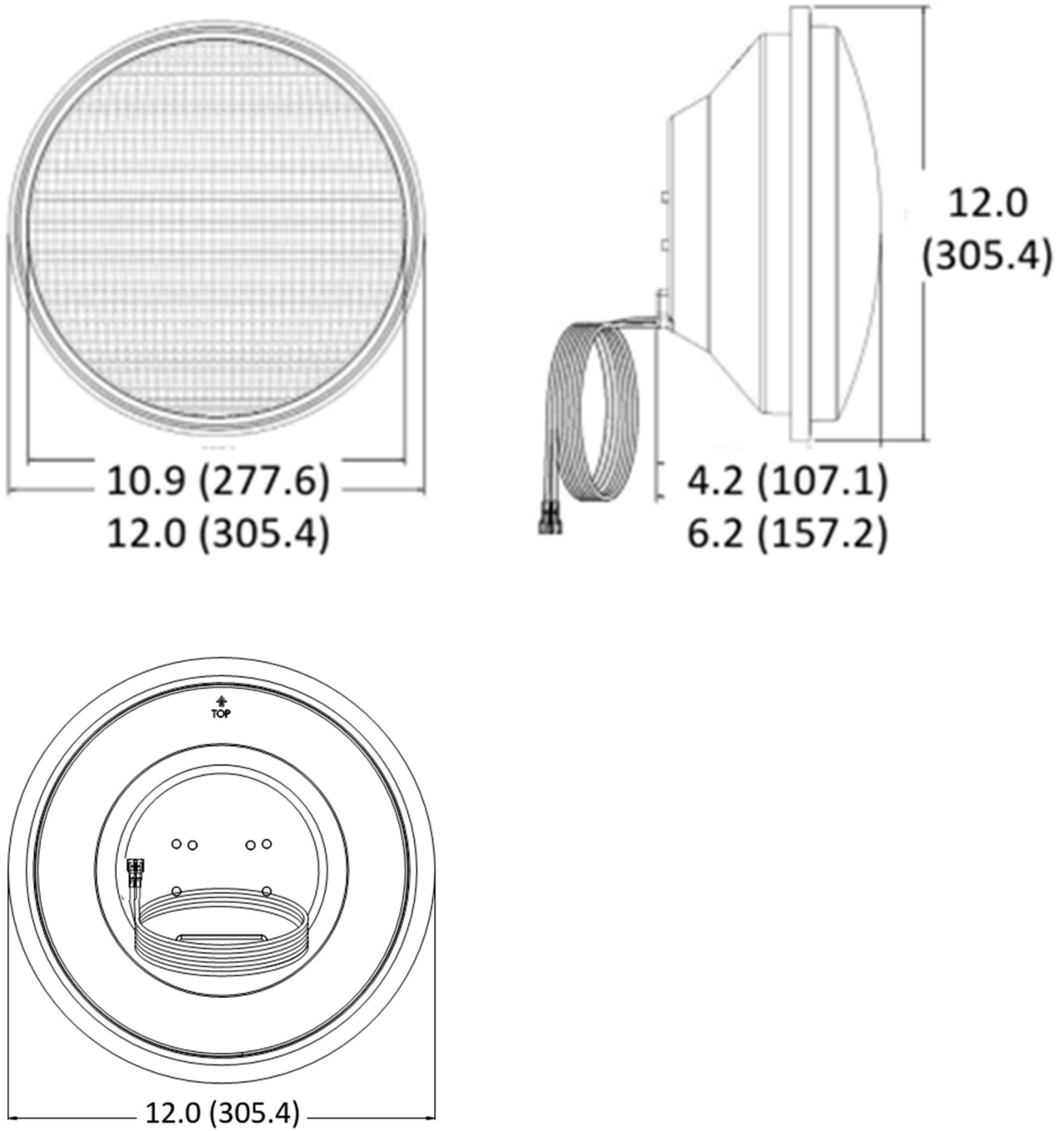


Product Spec.			
Product Description	300mm Red LED Traffic Signal Module	300mm Yellow LED Traffic Signal Module	
Model No.	IL6 Series	IL6 Series	
Optical Performance	Acc. To ITE VTCSH LED Circular Signal Supplement dated June 27, 2005		
Luminous Intensity (cd)	400 ~ 1074	400 ~ 2676	
Sun Phantom Class	5	5	
LED Wavelength (Typ.)	626nm	589nm	
Current Applied to The LEDs Typ. ($\pm 10\%$)	400mA (Typ.)	260mA (Typ.)	
Material of Front Cover	Tinted PC, UV stabilized.		
Material of Back Cover	Black PC, UV stabilized.		
Power Cords	Red/White, min 100cm with female terminal.	Yellow/White, min 100cm with female terminal.	
Power Supply Type	Constant current type SPS		
Input Voltage Range Typ. (+10% -15%)	DC 12V (10~28 Vdc)		
Cut off Voltage	8 Vdc		
Frequency	N/A		
Operating Current (Iin)@12V	0.385A	0.36A	
Power Consumption Typ. ($\pm 15\%$)	4.6W (Typ.)	4.4W (Typ.)	
Power Factor	N/A		
THD	<20%		
Reaction on Time	< 50 ms		
Operating Temperature	-40°C to 74°C		
Storage Temperature	-40°C to 74°C		
IP Rating	IP65		
Impact Resistance	N/A		
Remark			

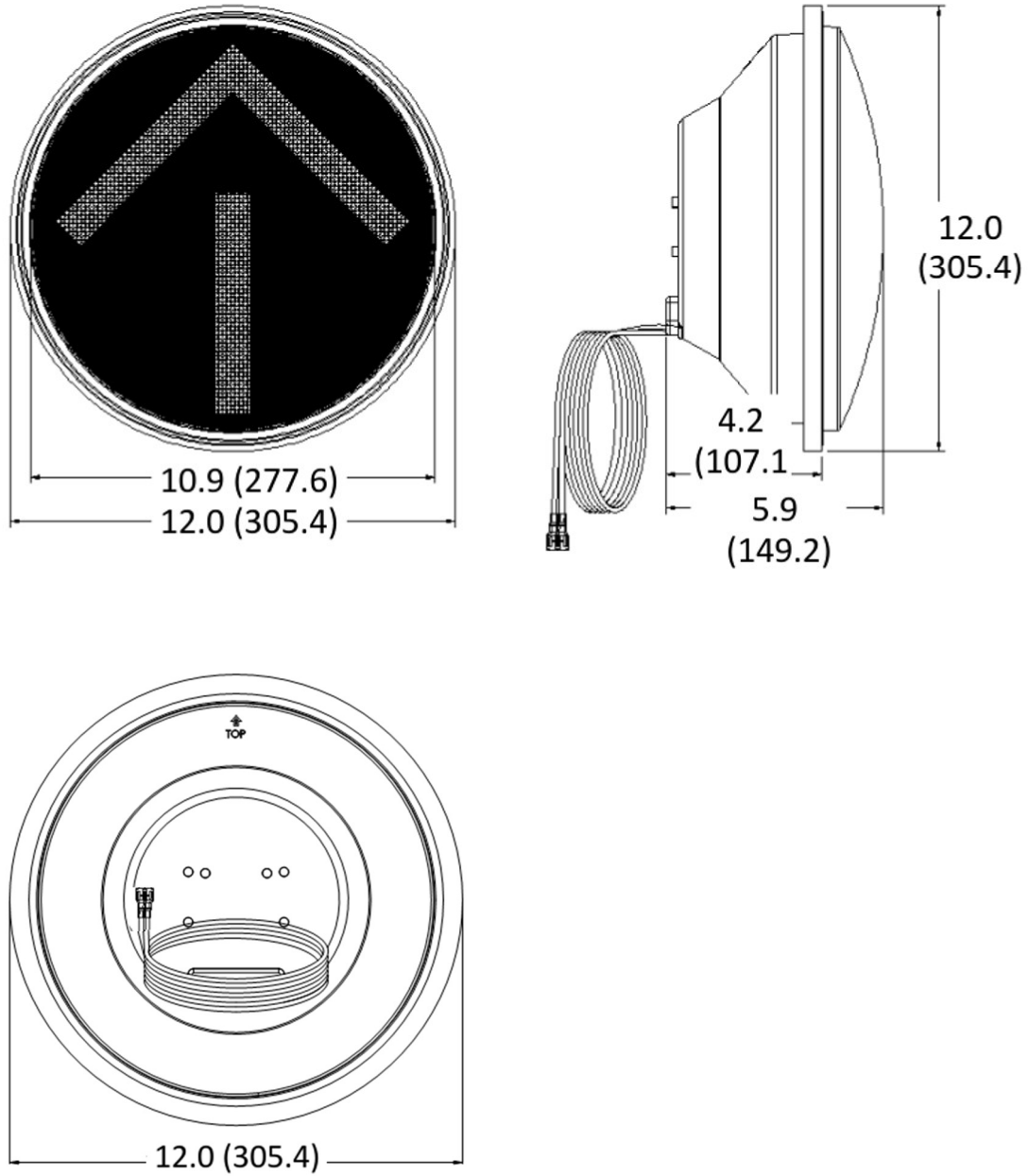
Figure 1 300mm Red/Yellow LED Traffic Signal Module



Unit: inch (mm)

Product Spec.			
Product Description			300mm Green Arrow LED Traffic Signal Module
Model No.			IL6 Series
Optical Performance	Acc. To ITE VTCSH LED Arrow Signal Supplement dated July 1, 2007		
Luminous Intensity (cd)			>400
Sun Phantom Class			5
LED Wavelength (Typ.)			500nm
Current Applied to The LEDs Typ. ($\pm 10\%$)			220mA (Typ.)
Material of Front Cover	Tinted PC, UV stabilized.		
Material of Back Cover	Black PC, UV stabilized.		
Power Cords			Brown/White, min 100cm with female terminal.
Power Supply Type	Constant current type SPS		
Input Voltage Range Typ. (+10% -15%)	DC 12V (10~28 Vdc)		
Cut off Voltage	8 Vdc		
Frequency	N/A		
Operating Current (lin)@12V			0.305A
Power Consumption Typ. ($\pm 15\%$)			3.7W (Typ.)
Power Factor	N/A		
THD	<20%		
Reaction on Time	< 50 ms		
Operating Temperature	-40°C to 74°C		
Storage Temperature	-40°C to 74°C		
IP Rating	IP65		
Impact Resistance	N/A		
Remark			

Figure 1 300mm Green Positive Arrow LED Traffic Signal Module



Unit: inch (mm)